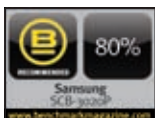


## SCB-3020

## High Resolution WDR ATM Camera

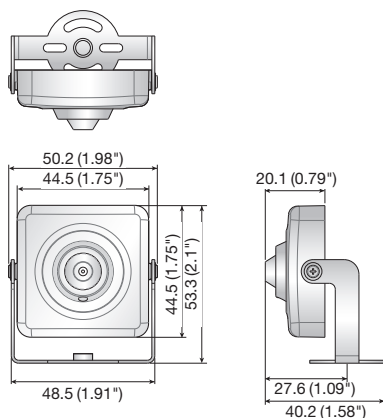


## Key Features

- High resolution of 600TV lines
- Min. illumination 0.45Lux@F2.0 (Color)
- Built-in 3.7mm fixed lens
- WDR, VPS, Intelligent video analytics, MD, DNR
- Coax : CCVC, 12V DC

## Dimensions

Unit : mm (inch)



## Technical Specifications

	SCB-3020N	SCB-3020P
<b>VIDEO</b>		
Imaging Device	1/3" Super HAD CCD (Double scan)	
Total Pixels	811(H) x 508(V)	795(H) x 596(V)
Effective Pixels	768(H) x 494(V)	752(H) x 582(V)
Scanning System	2 : 1 Interlace	
Synchronization	Internal / Line lock (L-Pulse input)	
Frequency	H : 15.734KHz / V : 59.94Hz	H : 15.625KHz / V : 50Hz
Horizontal Resolution	Color : 600TV lines	
Min. Illumination	Color : 0.45Lux@F2.0 (50IRE, Sens-up 2x)	
S / N Ratio	52dB (AGC off, Weight on)	
Video Output	CVBS : 1.0 Vp-p / 75Ω composite	
<b>LENS</b>		
Focal Length (Zoom Ratio)	3.7mm	
Max. Aperture Ratio	F2.0	
Angular Field of View	D : 80.81° / H : 64.65° / V : 48.49°	
Min. Object Distance	0.4m (1.31ft)	
<b>OPERATIONAL</b>		
On Screen Display	Multi-language support English, Japanese, Spanish, French, Portuguese, Taiwanese, Korean	Multi-language support English, French, German, Spanish, Italian, Chinese, Russian, Polish, Czech, Romanian, Serbian, Swedish, Danish, Turkish, Portuguese
Camera Title	Off / On (Displayed 54 characters)	
Day & Night	Day / Night / Auto (Electrical)	
Backlight Compensation	Off / On	
Wide Dynamic Range	52dB	54dB
Contrast Enhancement	Off / Low / Mid / High	
Digital Noise Reduction	Adaptive 3D+2D (Off / Low / Mid / High / User)	
Digital Image Stabilization	Off / On	
Motion Detection	Off / On	
Privacy Masking	Off / On (12 programmable zones, polygonal type)	
Sens-up (Frame Integration)	2x ~ 512x	
Gain Control	Off / On	
White Balance	ATW1 / ATW2 / AWC (Manual) / 3200°K / 5600°K	
Electronic Shutter Speed	1/60 ~ 1/200,000sec	1/50 ~ 1/200,000sec
Digital Zoom	Off / On (1x ~ 16x)	
Reverse	Off / H / V / H/V	
Profile	Standard / ITS / Backlight / Day & Night / Gaming / Custom	
VPS	Off / On	
Intelligent Video Analytics	Fixed / Moved, Fence (Line, Area)	
PIP	Off / On	
Alarm	1 Output	
Communication	Coaxial control (SPC-300 compatible)	
Protocol	Coax : CCVC	
<b>ENVIRONMENTAL</b>		
Operating Temperature / Humidity	-10°C ~ +55°C (+14°F ~ +131°F) / Less than 90% RH	
<b>ELECTRICAL</b>		
Input Voltage / Current	12V DC ±10%	
Power Consumption	Max. 2.0W	
<b>MECHANICAL</b>		
Color / Material	Black / Aluminum	
Dimensions (WxHxD)	50.2 x 53.3 x 40.2mm (1.98" x 2.1" x 1.58")	
Weight	105g (0.23 lb)	

\* The latest product information / specification can be found at [www.samsungsecurity.com](http://www.samsungsecurity.com)